



**BIG FOOT
SYSTEMS**

Angled AV Mats

Typical Application

The solution for using Big Foot Frameworks on roofs which have a slope of 2.5° or 5°. These AV mats are available for 305mm and 450mm Big Feet.

Dimensional Data & Product Weights

Four sizes of Big Foot angled AV mats are available:

Big Foot angled AV mat	Length (mm)	Width (mm)	Height from roof to Foot underside (mm)	Weight (Kg)	Part number
305mm 2.5°	345	345	10 - 25	2.0	B9091
305mm 5°	345	345	10 - 25	3.0	B9092
450mm 2.5°	492	492	12 - 33.5	6.2	B9093
450mm 5°	492	492	12 - 33.5	7.9	B9094

Anti Vibration Mat

Quality Assurance

Raw materials are selected from ISO9002 registered suppliers

Construction

Pressure moulded using a one or two part mix, utilising milled, sieved & graded Styrene Butadiene Rubber (SBR-Recycled Rubber). Bound using a ratio of high quality moisture curing Polyurethane Pre-Polymer. Manufactured with a built in shrinkage allowance.

Safety Standards

All parts of British Standard BS7188:1989 & BS5696 Part 3:1979

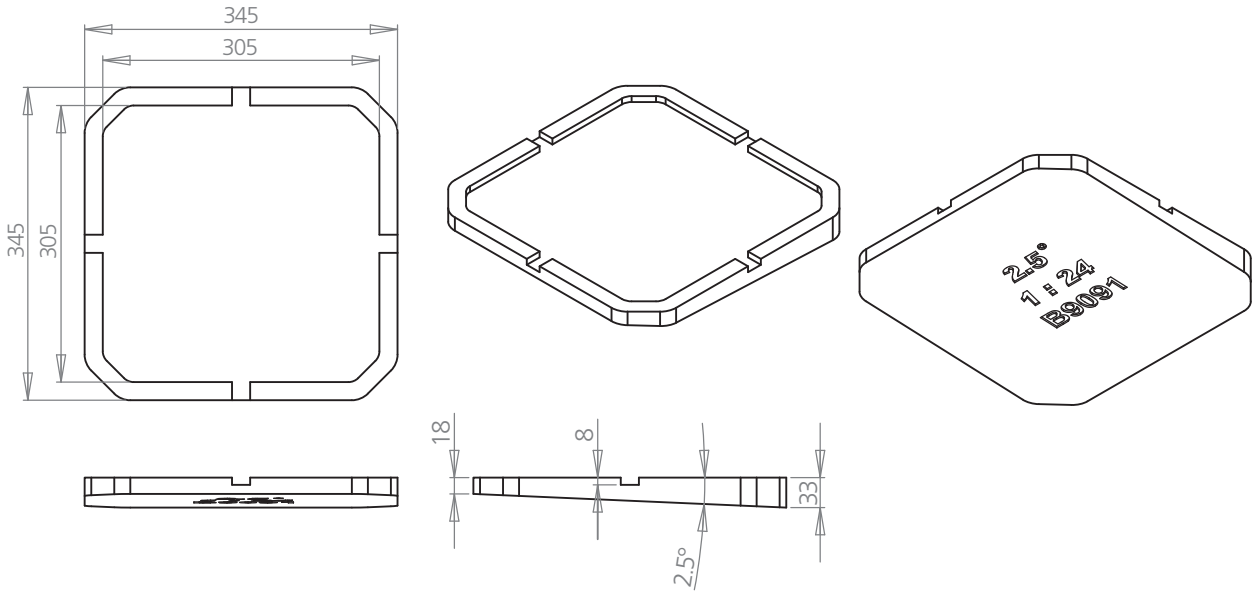
European Standard PR EN 1177

U.S.A. Standard ASTM F 1292-99

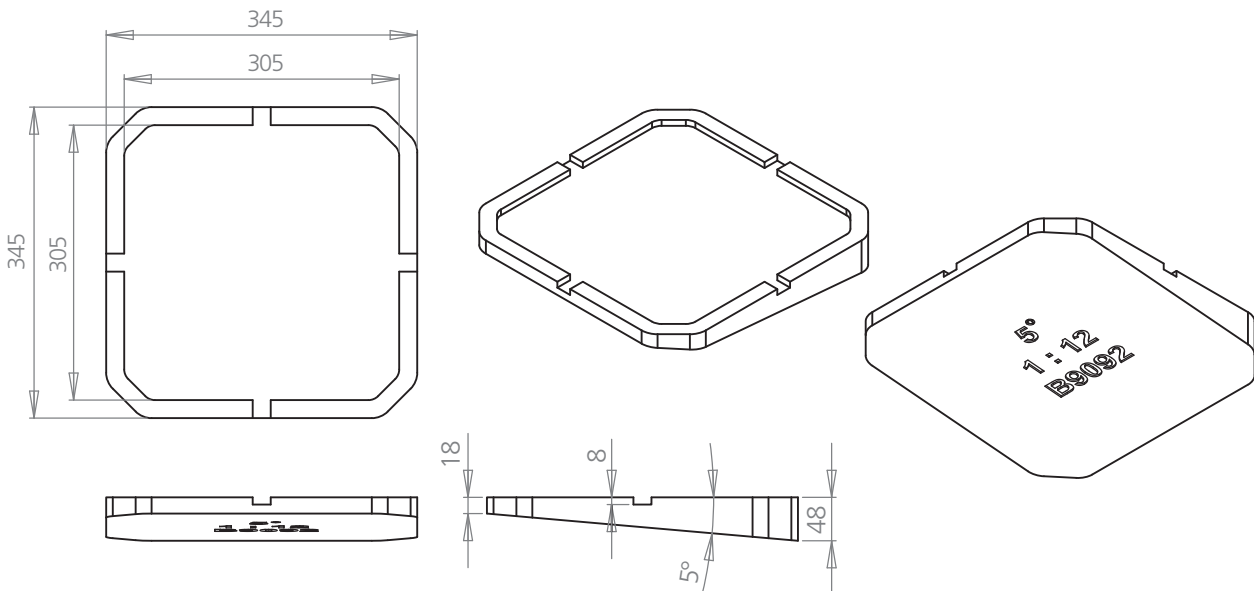


Big Foot Systems takes no responsibility for the condition of the roof on which our equipment is to be used. You must ensure that the substrate on which the Big Foot is intended for use is structurally sound enough to take the weight and point loadings we have indicated. All Big Foot products must be installed in line with the guarantees and recommendations of the manufacturer of the roofing system. The manufacturer of PVC membranes should advise on the susceptibility migration of plasticizers and specific recommendations should be adhered to so that the roof guarantee is not affected.

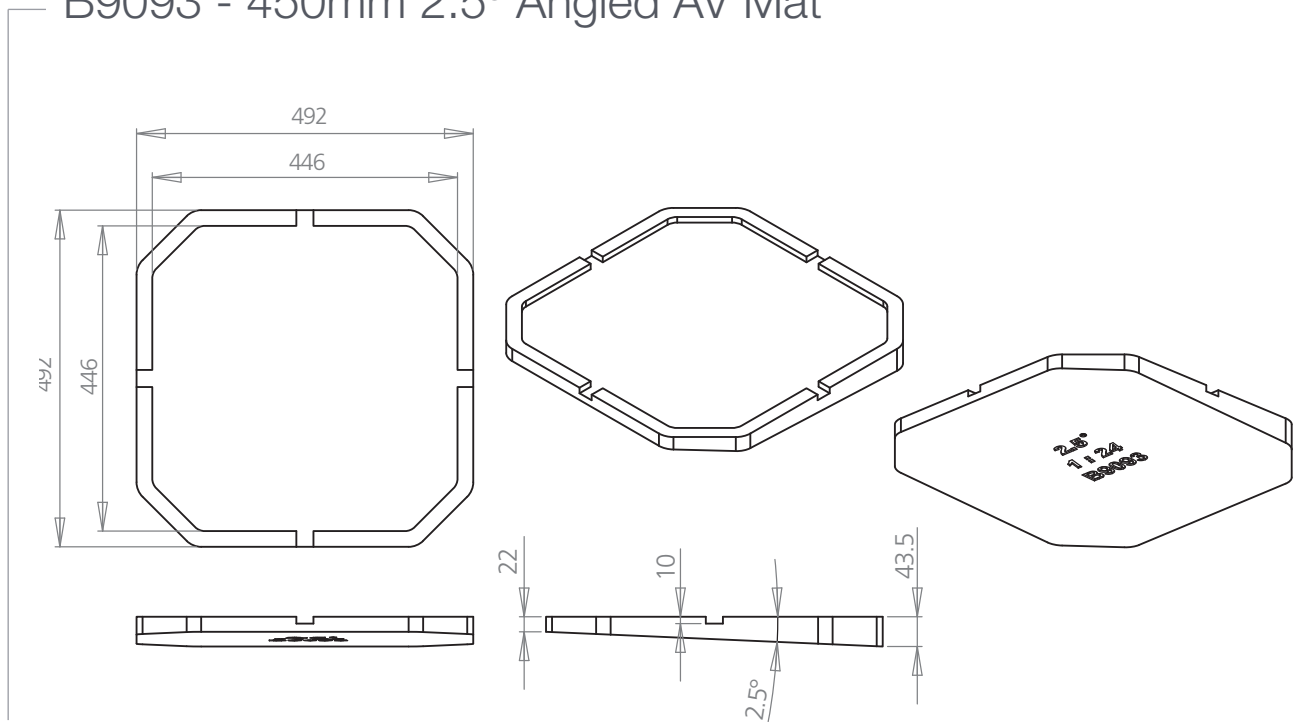
B9091 - 305mm 2.5° Angled AV Mat



B9092 - 305mm 5° Angled AV Mat



B9093 - 450mm 2.5° Angled AV Mat



B9094 - 450mm 5° Angled AV Mat

